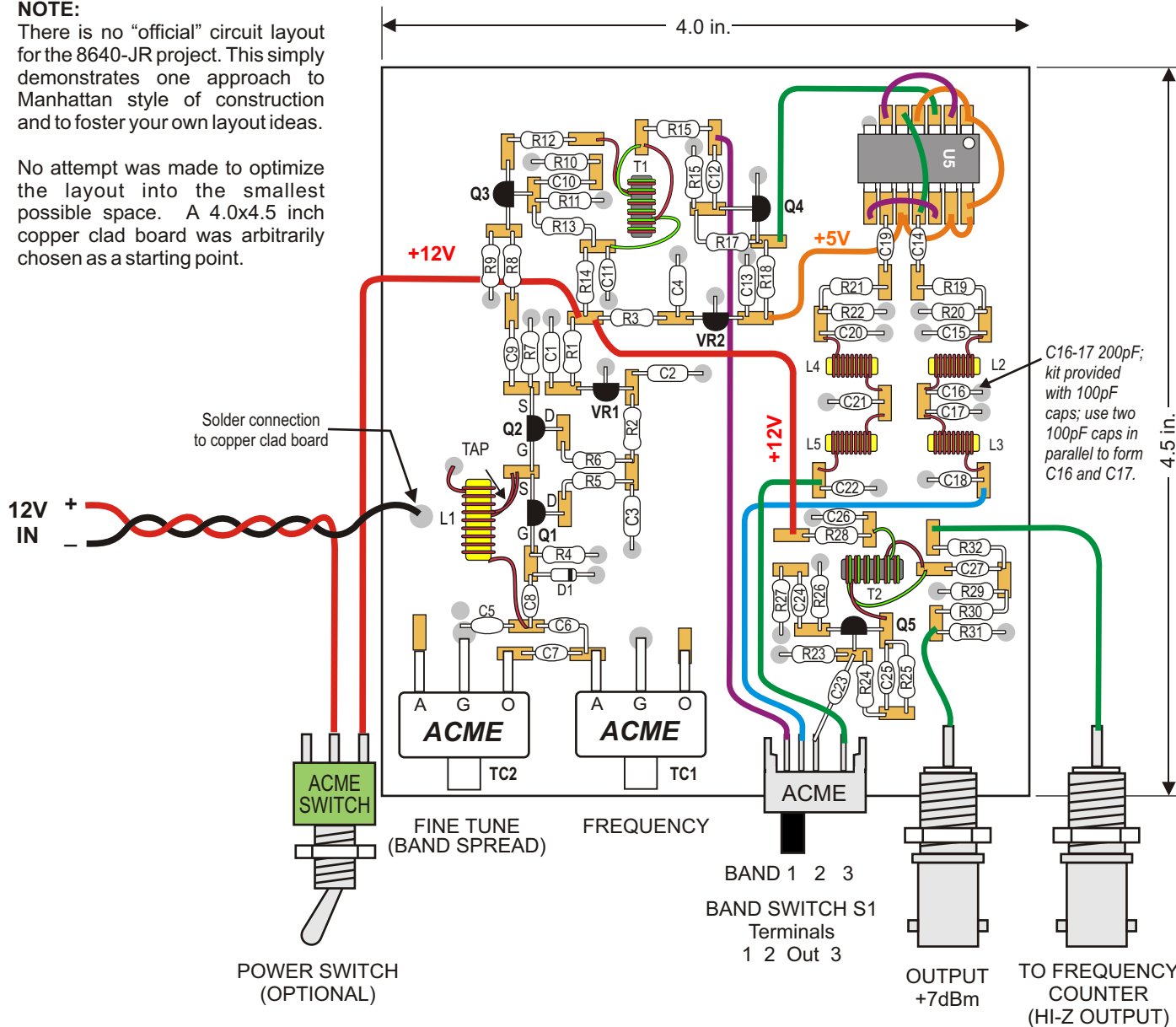


CHANGE RECORD	
DATE	CHANGE
10 APR 2012	ADDED FINE TUNE CONTROL TC2
22 APR 2012	CORRECTED PINOUTS ON VR1, VR2 & S1

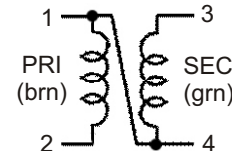
NOTE:

There is no "official" circuit layout for the 8640-JR project. This simply demonstrates one approach to Manhattan style of construction and to foster your own layout ideas.

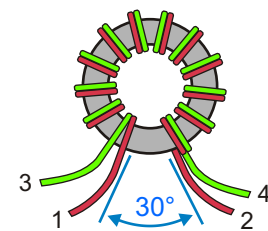
No attempt was made to optimize the layout into the smallest possible space. A 4.0x4.5 inch copper clad board was arbitrarily chosen as a starting point.



BIFILAR WOUND TRANSFORMERS T1-T2



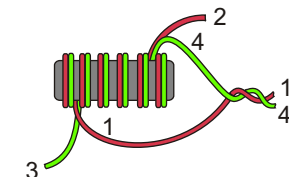
Use two colors of wire (or mark them); assume brown is the primary and green is the secondary. Wind as shown.



12-turn bifilar transformer illustrated

Some people twist the two wires before winding the toroid.

Connect wires "1" and "4" together. This makes a 4:1 impedance transformer - converting 200 to 50.



Solder wires as shown in the layout to ensure proper phasing.